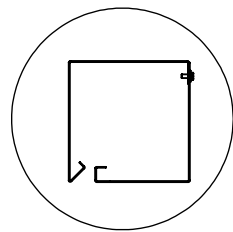


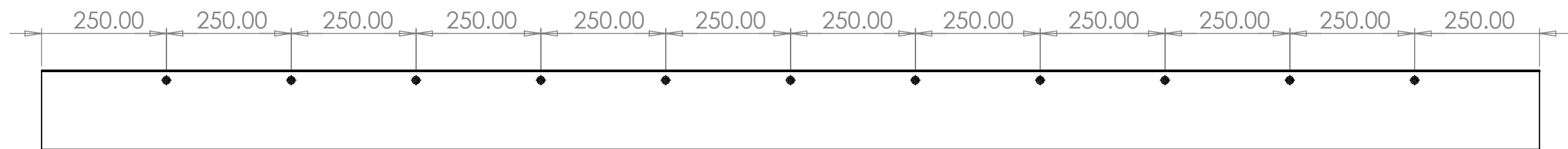
8 7 6 5 4 3 2 1

F

F

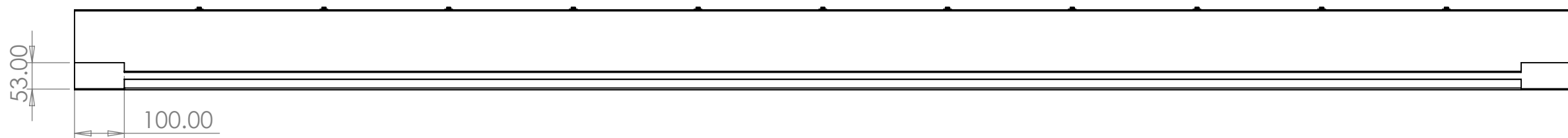


A



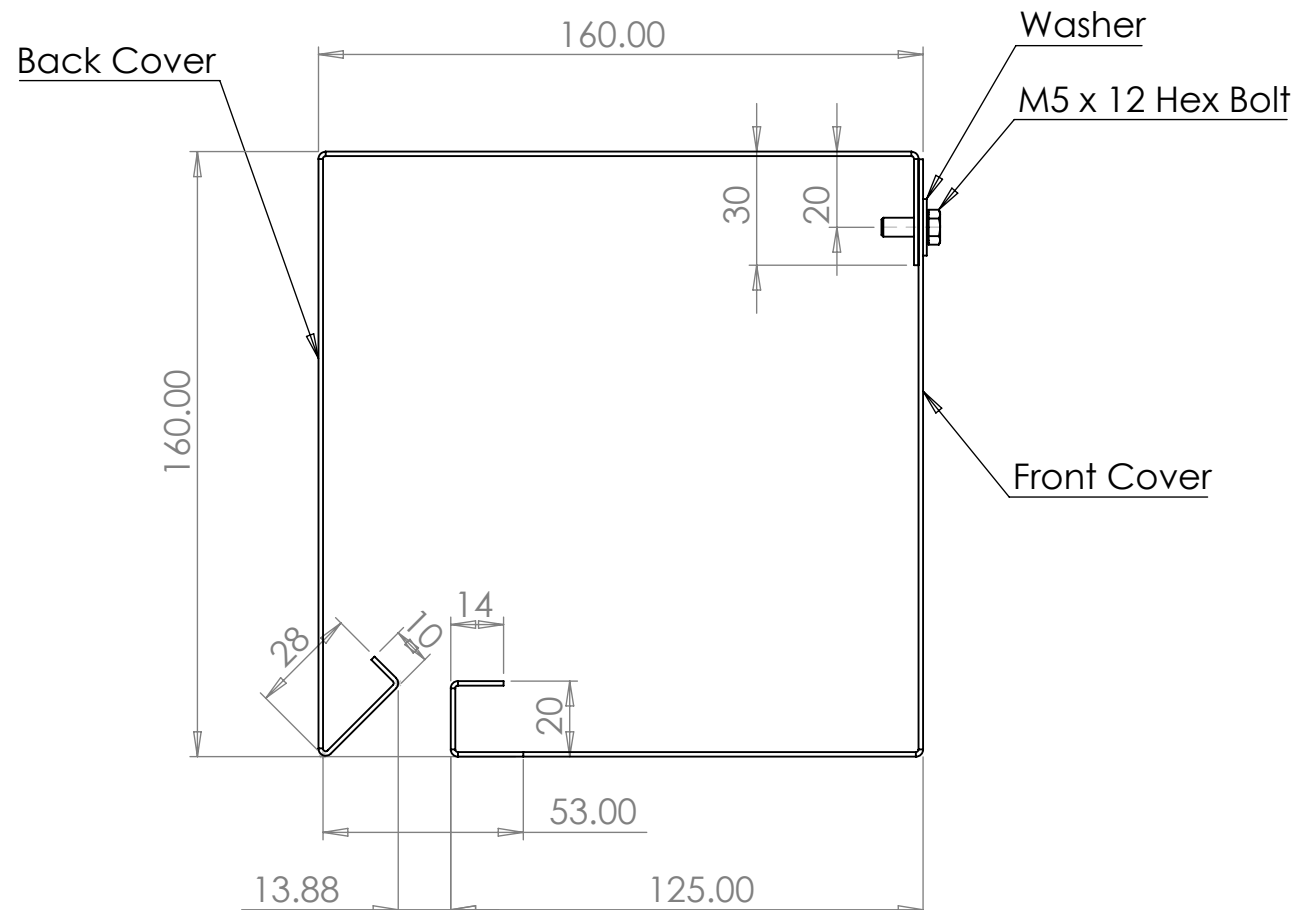
E

E

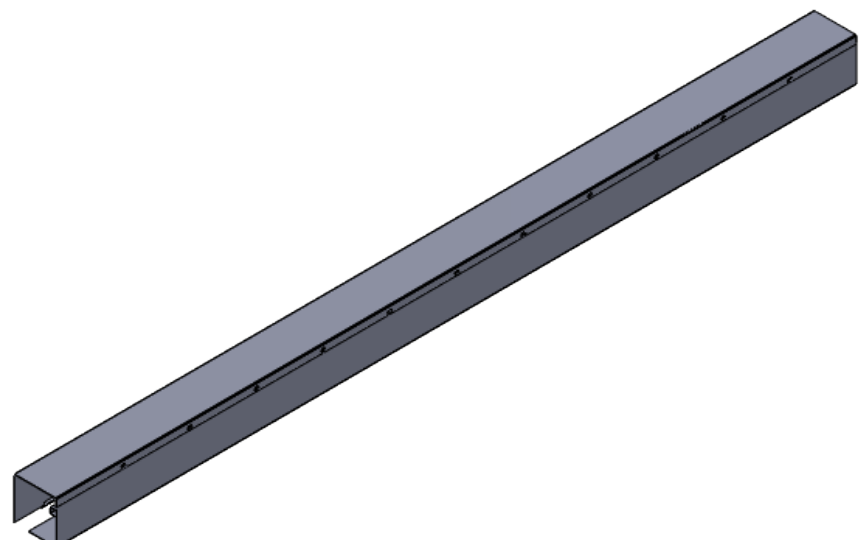


D

D



DETAIL A
SCALE 1 : 2



C

C

B

B

A

A

8 7 6 5 4 3 2 1

UNLESS OTHERWISE SPECIFIED: DIMENSIONS ARE IN MILLIMETERS SURFACE FINISH: TOLERANCES: LINEAR: ANGULAR:		FINISH:	DEBURR AND BREAK SHARP EDGES	DO NOT SCALE DRAWING	REVISION © Crown City Systems, Leicester LE17 1GD Tel +44(0)116 352 7223 Email : contracts@firecurtains.net Web : www.firecurtainltd.com
DRAWN	A.Duffew	SIGNATURE	DATE	27/01/20	TITLE: Top Box 2pieces 160 x 160
CHK'D					
APPV'D					
MFG					
Q.A				MATERIAL:	DWG NO. SFC2020-002
				WEIGHT:	SCALE:1:20
					SHEET 1 OF 1

A3