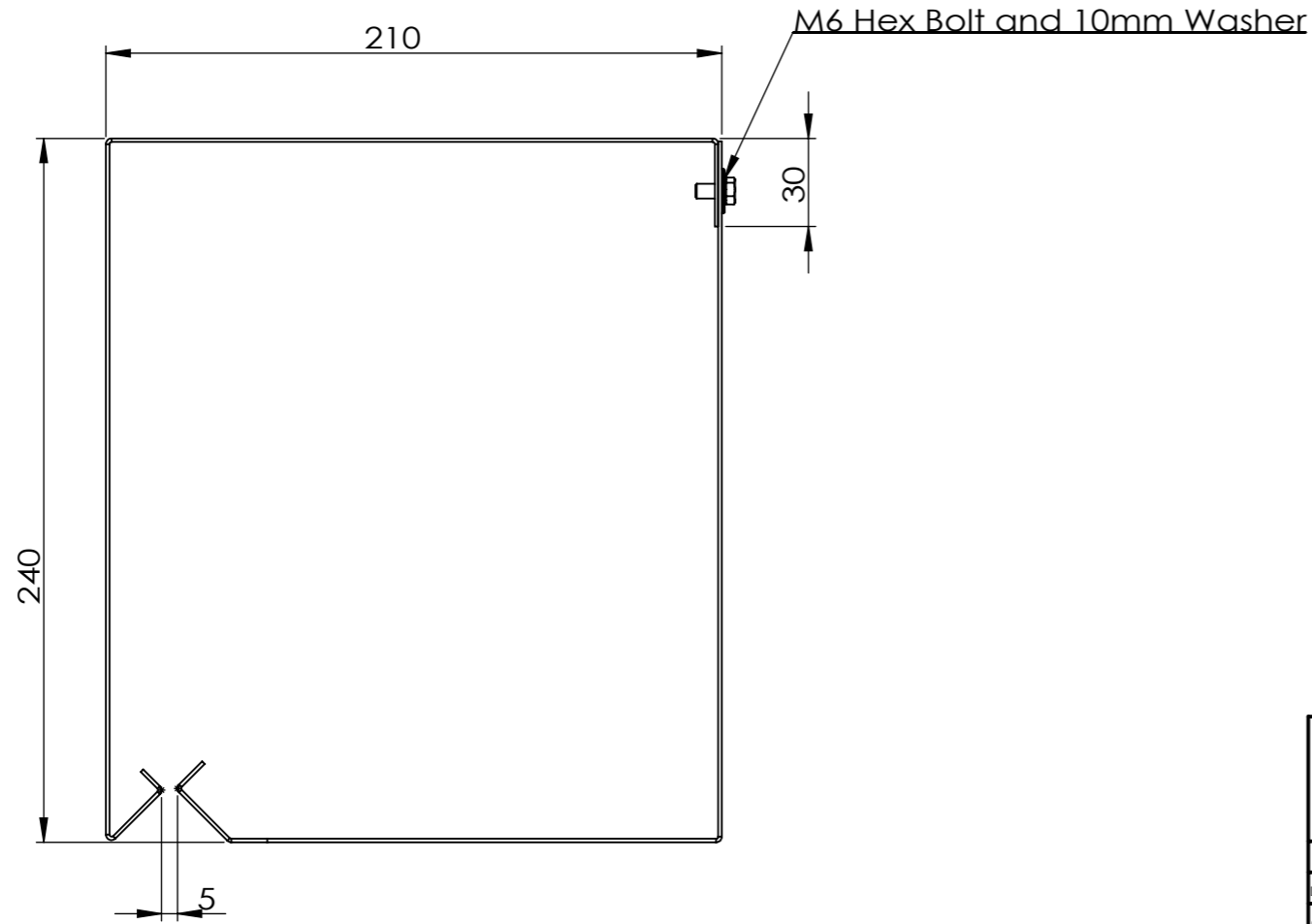
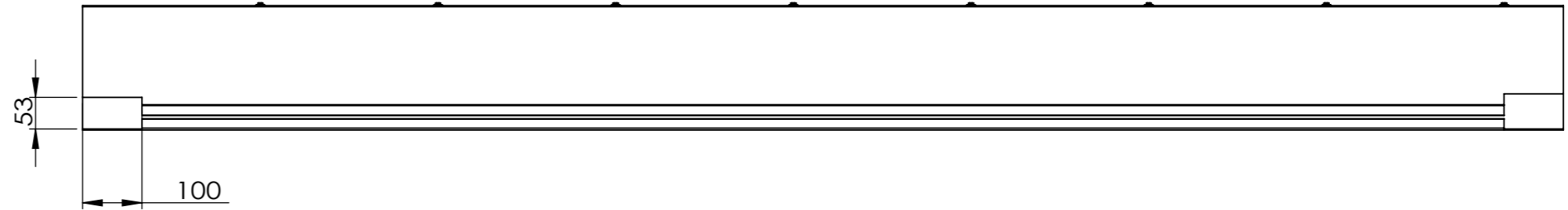
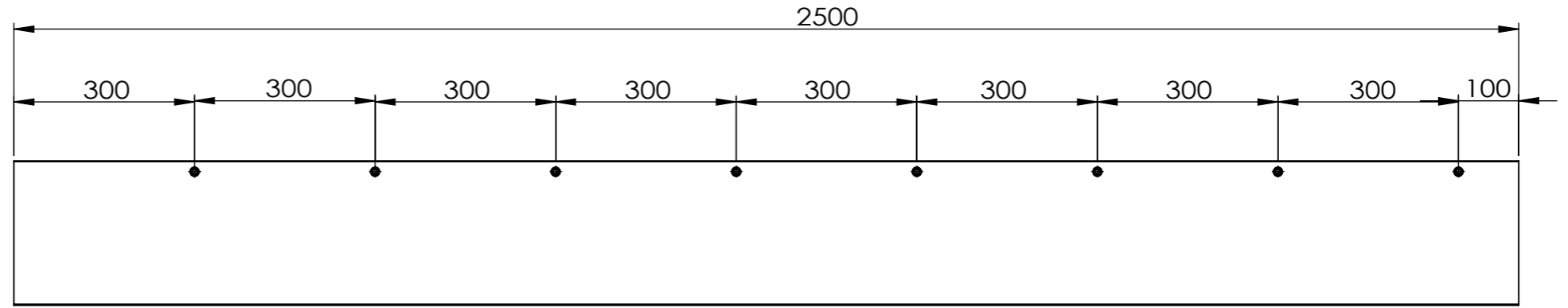


A



DETAIL A
SCALE 1 : 2.5

UNLESS OTHERWISE SPECIFIED: DIMENSIONS ARE IN MILLIMETERS SURFACE FINISH: TOLERANCES: LINEAR: ANGULAR:				FINISH:		DEBUR AND BREAK SHARP EDGES		DO NOT SCALE DRAWING		REVISION	
DRAWN				SIGNATURE		DATE		TITLE:			
A.Duffew						20/05/19		Top Box 210 x 240 2 Pieces			
CHK'D											
APPV'D											
MFG											
Q.A						MATERIAL:		DWG NO.		A3	
								201905020			
						WEIGHT:		SCALE:1:20		SHEET 1 OF 1	